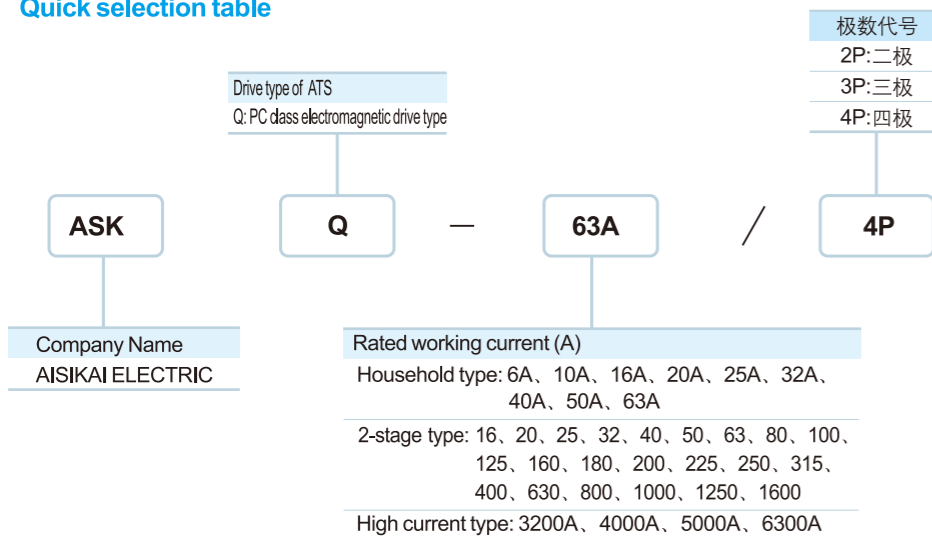


## ASKQ SERIES PC CLASS ATS (ELECTROMAGNETIC DRIVEN TYPE)

### PRODUCT OVERVIEW

- ASKQ series dual power automatic transfer switch is PC Class non-frequently operable electrical transfer switch. It has 3 working modes: Fully Automatic, Electric and Emergency Manual. It is suitable to be used in the 50/60Hz 6A-6300A low voltage AC power distribution systems for reliable transfer between two power supplies.

### Quick selection table



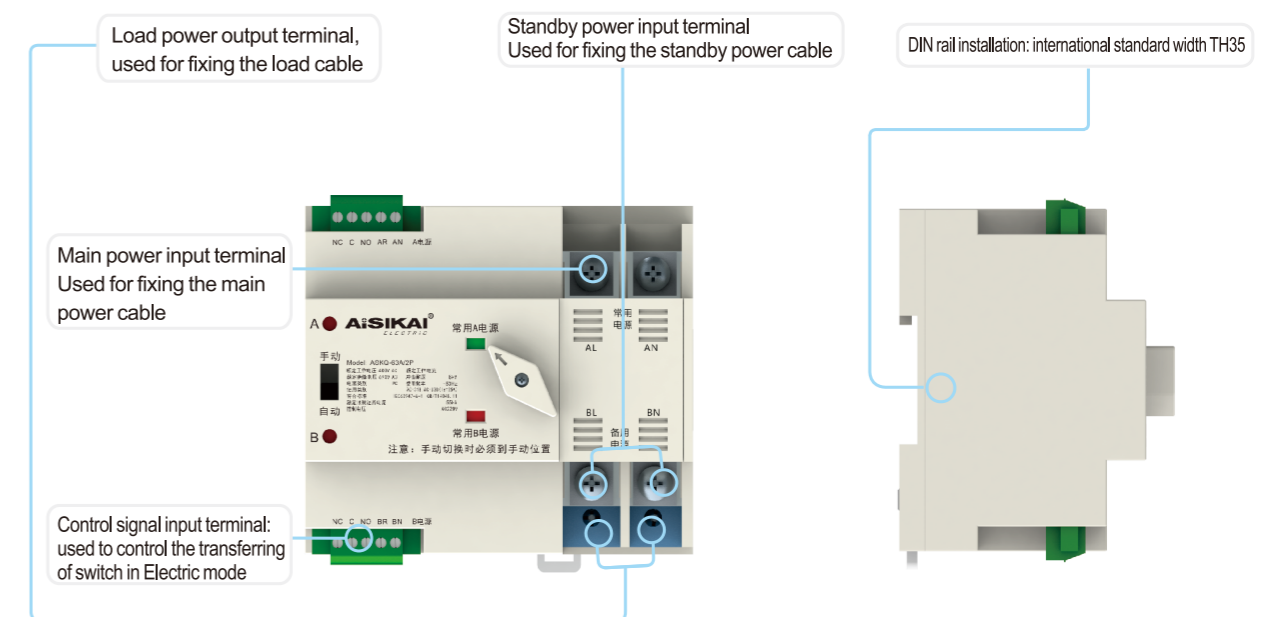
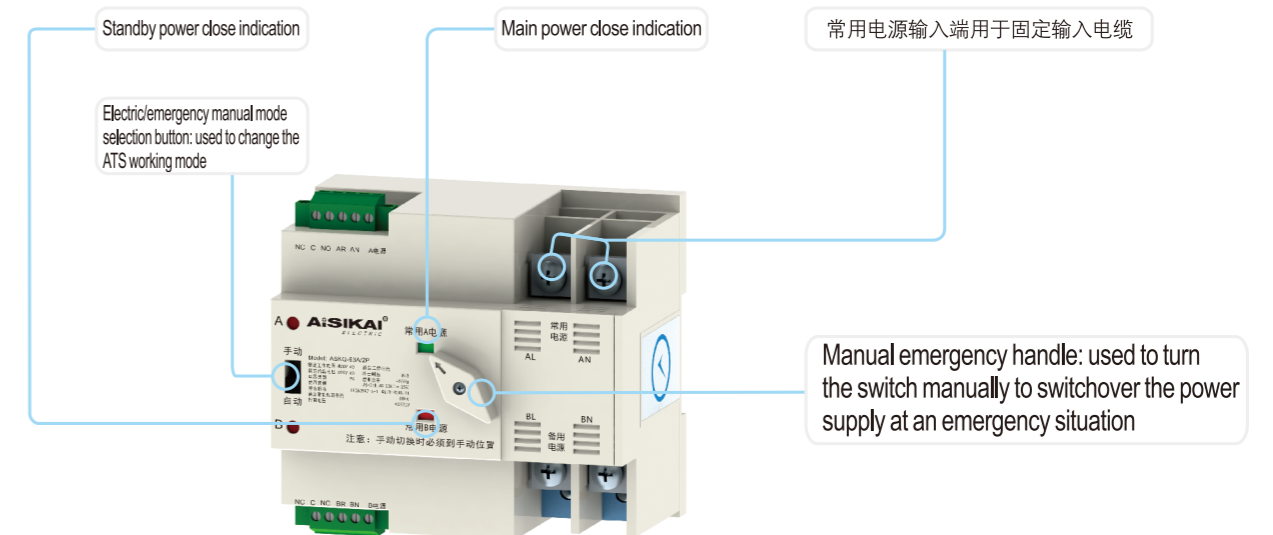
### PERFORMANCE CHARACTERISTICS

- The excitation type electromagnet drive is adopted, which is extremely fast in transferring.
- The 6A-63A switch is suitable for home use, which meets the requirements of the level-III power distribution system and the DIN rail installation is quick and easy.
- 3200A-6300A switch is suitable in the industrial places for large current switching and meets the Level- I power distribution requirements.

### Normal working conditions and installation methods

Category	Requirements
Operating temperature	-5 to 40°C. The average value for 24 hours shall not exceed +35°C ;
Operating humidity	The average humidity at +40°C shall not exceed 50% ; higher humidity is allowed at a lower temperature, for example, 90% at +25°C. Special measures should be taken when occasionally there is condensation on the products due to temperature changes
Altitude	Lower than 2000 meters and, if higher than 2000 meters, please use reduce product rated value for use
Vibration and gas	There shall be no strong vibration or shock and no harmful gases to corrode the metals and to damage the insulation within the environment of its use
Surrounding material	There shall be no serious dust, conductive particles or explosive hazardous substances
Class of pollution	Class III in accordance with GB/T14048.11
Installation category	Category III in accordance with GB/T14048.11
Installation method	Vertically installed in control cabinet, power distribution cabinet

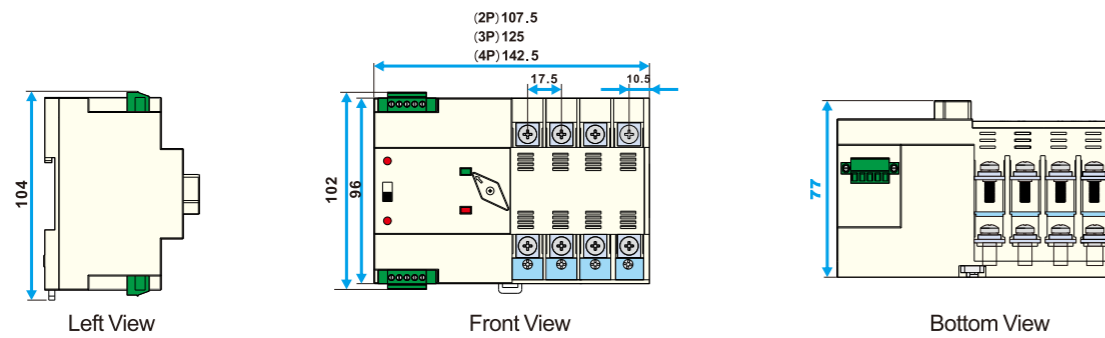
### STRUCTURE INTRODUCTION (6A-63A)



**MAIN TECHNICAL PARAMETERS ( 6A-63A )**

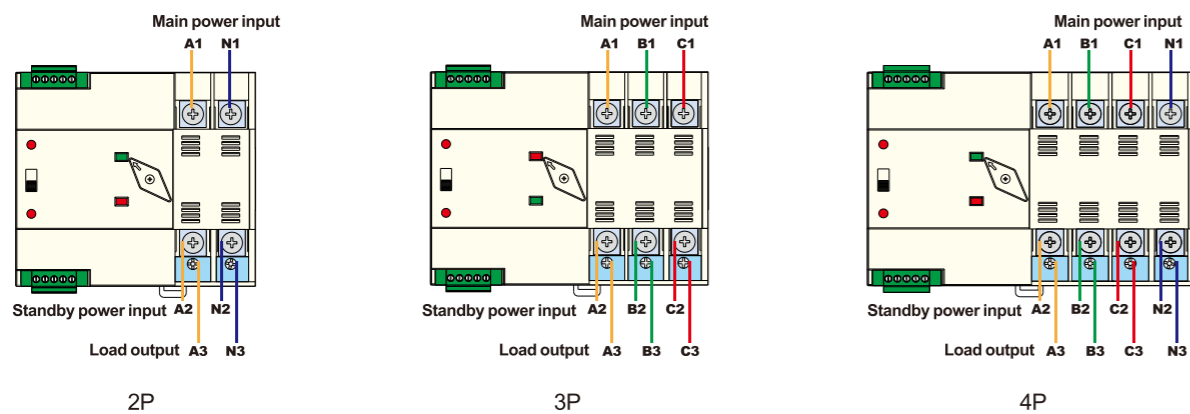
Rated operating voltage of copper bar Ue	AC 400V
Rated operating current of copper bar Ie	6A、10A、16A、20A、25A、32A、40A、50A、63A
Rated insulation voltage of copper bar Ui	690V AC
Rated impulse withstand voltage Uimp	8kV
Use category	33B
Electrical Class	PC class
Use frequency	50Hz~60Hz
Applicable standards	IEC60947.1 GB/T14048.11

**OUTLINE DIMENSIONS DIAGRAM (6A-63A)**



**TYPICAL WIRING DIAGRAM(6A-63A)**

Primay wiring schematic diagram



- Note:
1. When in Manual mode, first connect the main power and standby power input terminals properly and, having verified that the live wires and neutral wires of both power supplies are consistent, connect the load output cable.
  2. When needing manual operation, first set the button in Manual position, then turn the handle to transfer.

Secondary wiring schematic diagram

- Full-auto control method electrical diagram

